

COSEC Feature Update

Feature:

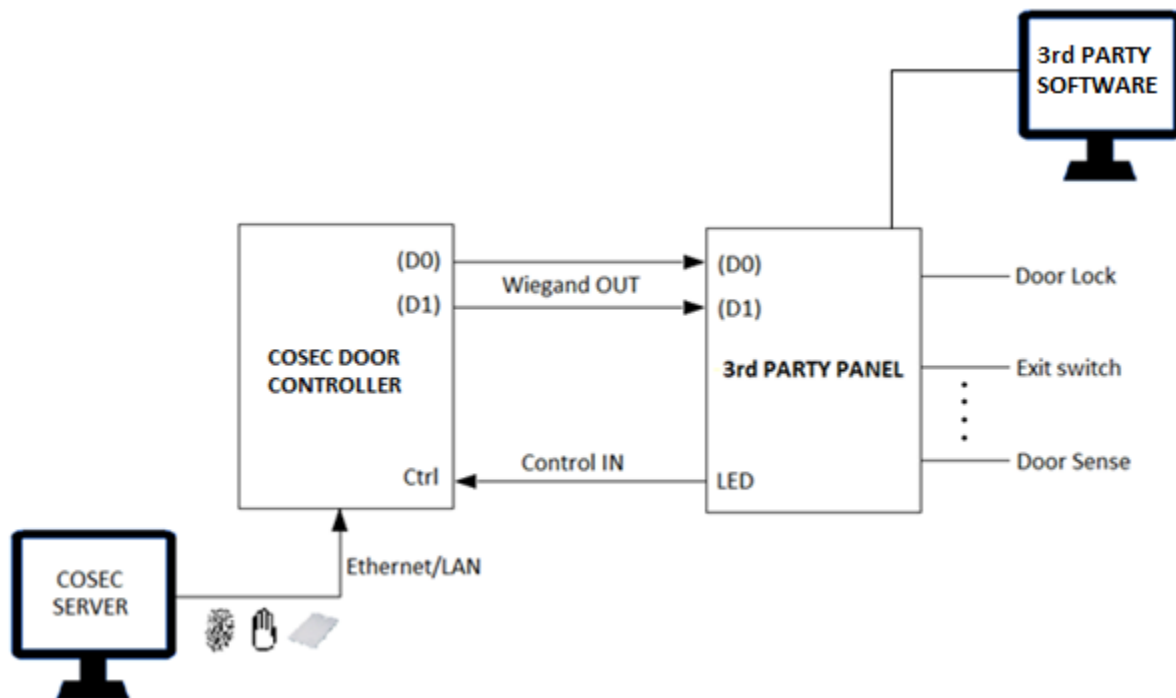
Integration of COSEC biometric DOOR Controller with 3rd party access control panel

Feature Summary:

Organizations are shifting towards biometric technology for user identification and verification due to many advantages compare to traditional RFID solution in terms of security and cost. However many times they hesitate to change their backend like access control panel and software because of complete new investment in product and installation.

Traditional access control panel use wiegand protocol to communicate with RFID card reader. Complete change in existing setup is required to shift from RFID to biometrics. Matrix identified this challenge and delivered a solution that replaces RFID reader. Matrix integrated COSEC biometric reader with existing 3rd party panel, which enable access through user finger or palm credential using the wiegand interface. Thus, enterprises can conveniently shift to Matrix biometric readers without changing the existing set up.

Feature Description:



Process:

- The operation of add/delete/edit users along with enrollment of finger/palm templates is done from COSEC Server
- On showing user finger/palm to COSEC Reader, the reader will send the card id (CSN Number) to panel on wiegand interface
- User Access allowed/denied response will be sent to reader & displayed accordingly
- Door locks, exit switch etc. can be operated through 3rd party panel

Thus, Matrix intelligently satisfies the need of customer using biometric credential for access, along with existing 3rd party set-up.

Application:

- Enterprises having a card based setup and wants to switch to biometric technology without changing existing panel

Benefits:

- Enhances security and reduces proxy errors with biometric technology
- Reduces switching cost drastically as organization can reuse their panel, software and cabling

Target User Profile:

- Existing card based conventional markets

Compatible Devices:

- COSEC DOOR PVR
- COSEC PATH – DCFE, DCFM, DCFI, DCFP
- COSEC VEGA – FAX, CAX

Release Date:

Date	16/09/2015
Release	V1R1
Feature Name	Integration of biometric COSEC reader with 3 rd party panel
Software Version	COSEC V8R2 onwards

About Matrix:

Established in 1991, Matrix is a leader in Telecom and Security solutions for modern businesses and enterprises. An innovative, technology driven and customer focused organization; Matrix is committed to keep pace with the revolutions in the telecom and security industries. With around 30% of its human resources dedicated to the development of new products, Matrix has launched cutting-edge products like IP-PBX, Universal Gateways, VoIP Gateways and Terminals, GSM Gateways, Access Control and Time-Attendance Systems, Video Surveillance System and Fire Alarm Systems. These solutions are feature-rich, reliable and conform to the international standards. Having global foot-prints in Asia, Europe, North America, South America and Africa through an extensive network of more than 500 channel partners, Matrix ensures that the products serve the needs of its customers faster and longer. Matrix has gained trust and admiration of customers representing the entire spectrum of industries. Matrix has won many international awards for its innovative products.



MATRIX COMSEC

Head Office

394-GIDC, Makarpura, Vadodara-390 010, India.

Ph: +91 265 2630555, Fax: +91 265 2636598

E-mail: Inquiry@MatrixComSec.com

SMS 'MATRIX' to +91 99987 55555

Factory

19-GIDC, Waghodia, Dist. Vadodara-391 760, India.

Ph: +91 2668 263172/73

www.MatrixSecuSol.com

For further information, please contact:



Due to continuous technology upgradations, product specifications are subject to change without notice.